

Section 4 – Compass Cover

Compass Cover

A binnacle compass cover can be a simple 'lid' with a flat top, (See Components – Drop Cover) or it can have a tapered top as shown here.

Step 1 – Measure the circumference of the 'body' of the compass and its height. Also measure the height of the 'dome' part (Fig 4-6)

Step 2 – Cut out a piece of Sunbrella. The width is the circumference measurement, plus 1" for the side seam allowances, plus about 2" to make the fit a bit loose. The height is the measured height (from the bottom of the base to the top of the dome) plus ½" seam allowance plus 1" for the hem as shown in Fig 4-6.

Step 3 – Mark the fabric as in Fig 4-7.

Mark ½" in from each end, and the top edge for seam allowances.

Divide the remaining length into 8 equal sections. Mark a line 1" up from the bottom for the hem line.

Mark 4 'roofs', each 90 degrees at the top, and the height of the 'dome' measurement if possible. If this is not possible, it is more important to make sure the angles at the tops are 90 degrees and adjust the height of the dome a little

Step 4 – Fold the rectangle in half *right* sides together, and stitch the side seam (Fig 4-7).

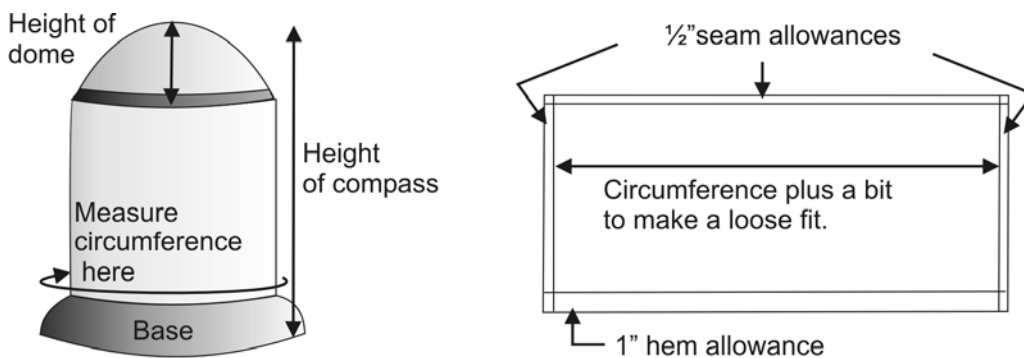


Fig 4-6 Measure up the compass. Cut out fabric to your measurements, and add seam and hem allowances.

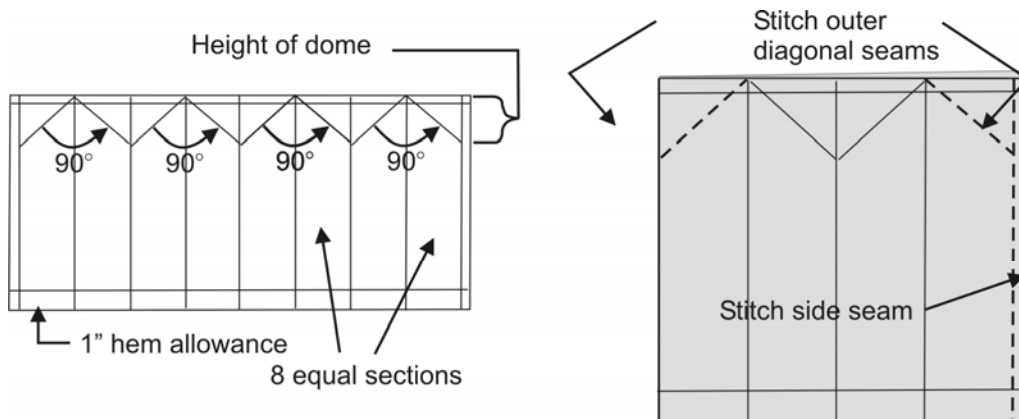


Fig 4-7 Mark up the piece of fabric as above. Fold the piece in half. Stitch the side seam. Then stitch the two outer diagonal seams.

Canvas for Cruisers

Step 5 – Leaving the piece folded in half, nip in the corners by stitching the diagonal seams at the outermost sides as shown in Fig 4-7. Trim the excess off to a 1/2" seam allowance.

Step 6 – Now open the piece out and re-fold so that the side seam is at the center as in Fig 4-8. Stitch the other 2 outermost diagonal seams as shown. Again, trim off the excess to a 1/2" seam allowance.

The result is a squared-off roof-like hat with a point in the center where all 4 seams meet.

Step 7 – Try on the compass cover and adjust the mark for its hem if necessary. Turn up the hem and stitch. It will probably be impossible to topstitch the little cover.

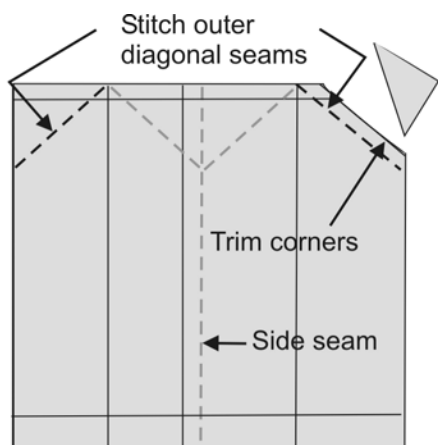


Fig 4-8 Re-fold the work so the side seam is at the center, and stitch the two outermost diagonal seams.

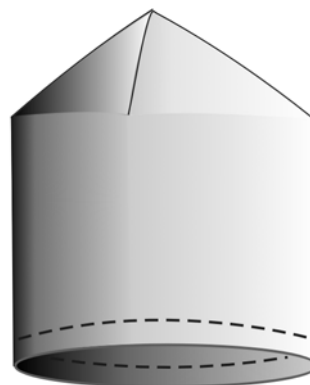


Fig 4-9 The result is a little squared-off hat for your compass.