

Section 7 – Shopping Bag

Open Bags:

Shopping Bag

(Fig 7-1) This is a great bag to replace all those environmentally unfriendly plastic grocery bags that can quickly take over the boat!

Any kind of sturdy fabric or vinyl can be used and this is a good way to use up that excess fabric you don't need. It is also a great way to use up the good parts from an old sail. A bag made from vinyl mesh makes a decent storage bag for rope.

Step 1 – Cut out a piece of fabric. The width is the finished width of the bag, plus 1" for seam allowances plus about 4". The length is double the desired length of the bag, plus about 6".

So, if you want the finished bag to be 16" wide by 18" high by 4" deep, cut the fabric 21" x 42".

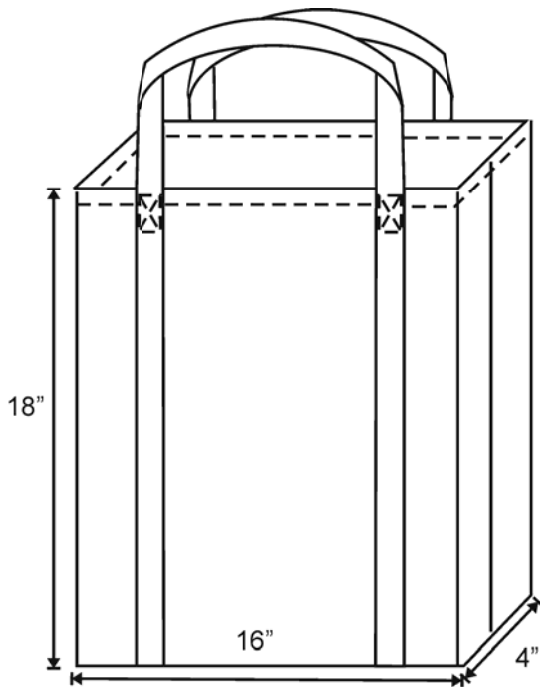


Fig 7-1 Shopping bag

Step 2 - Webbing can be used for the handles as shown in Fig 7-2.

Or you can make handles from the leftover long pieces of scrap. Cut out long strips about 3" or 4" wide. (You can even stitch short strips together to make a long length for the handles.)

Turn the long ends of the strips under 1/2" and then fold the strip in half lengthwise, matching up the 1/2" folded sides.

Stitch close to the 1/2" folded side.

A strap 104" long works pretty well on a bag 16x18x4 as shown here.

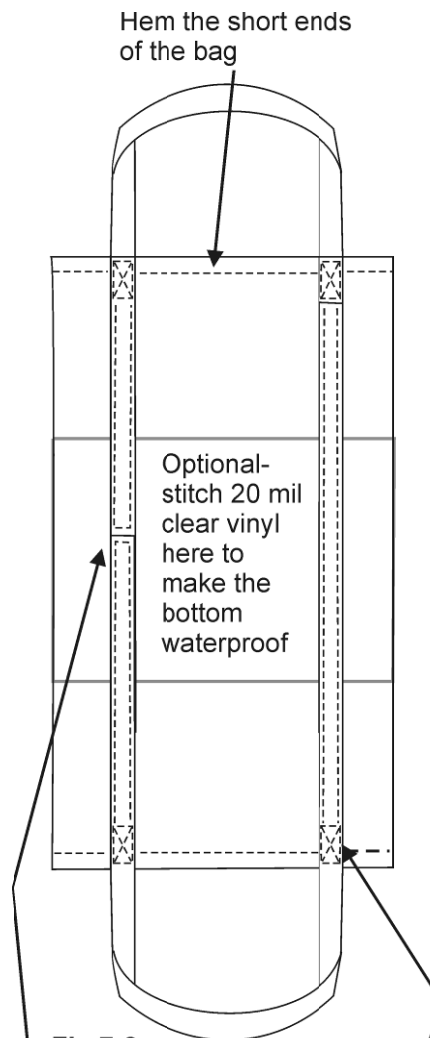


Fig 7-2

Stitch the handle on, making box stitches at the ends and making the break on the bag's bottom.

Canvas for Cruisers

Step 3 - Stitch a hem into the short ends of the bag by turning under $\frac{1}{2}$ " and under again.

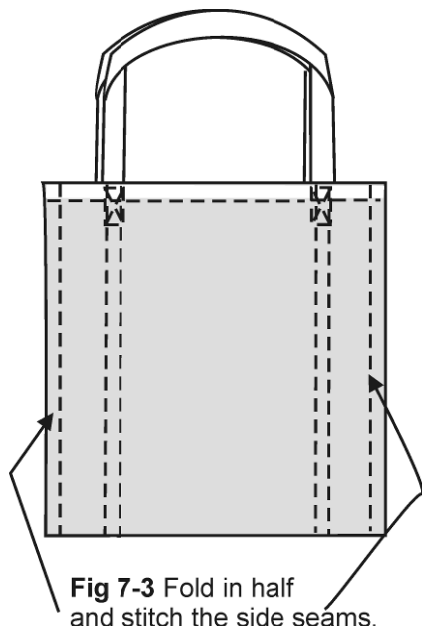
Optional – stitch a scrap of 20 mil vinyl to the bottom area of the bag. This really helps keep the bread dry when transporting groceries in a wet dinghy!

Step 4 – Stitch on the handle to the *right* side of the bag as shown in Fig 7-2 so that the two handles are the same length.

Because the handle extends all the way around the bottom of the bag, it makes for a stronger bag. Use a box stitch on the handles at the hem edges for extra strength.

Additional tips on applying handles can be found further along in this Section – see Zippered Bag – Tote Bag.

Step 4 – Now fold the assembly *right* sides together and stitch the side seams. (Fig 7-3)



Step 5 – Refold the bag so the side seam is to the center, and ‘nip in’ the bottom, making about a 3 or 4” seam.

This forms the squared-off shape for the bottom of the bag. (Fig 7-4)

Decorate it with the boat name using fabric paint and you will have yourself a great reusable shopping bag!

